



AMERICAN EAGLE

GOALS



PATRIOT SERIES

Installation Instructions - RM54, RM60

American Eagle Goals - Customer Service

Phone: 1-844-422-4625

Email: sales@aegoals.com



SAFETY INSTRUCTIONS



Before digging for the anchor system, contact your local One-Call center in your area by dialing (811) for underground utility locates.

WARNING

Failure to follow these safety instructions may result in serious injury and/or property damage and will void your warranty. Owner must ensure that all players know and comply with these rules for safe operation of the system.

WARNING

Failure to follow these warnings may result in death, serious injury and/or property damage. Do not attempt to assemble this system without fully reading and understanding the assembly instructions. A greater probability of serious injury exists if this system is not properly installed, maintained and operated.

- To avoid severe injury or death, do not locate this system under power lines that could potentially come in contact with it when being raised.
- Do not install in an area with overhead power lines located within a 20' radius of the goal location.
- Two or more people in good physical condition and more than capable of lifting at least 100 pounds each are recommended for safe installation.
- Follow all warnings and comply with all weight restrictions listed on all ladders used during the installation process. Use extreme caution.
- Understand and follow all warnings and instructions for all digging equipment used when setting the anchor. i.e. augers, post hole diggers etc.
- Installation and assembly of this product will require bending, heavy lifting/carrying and that can lead to injury. Exercise caution during assembly.

Owner must ensure that all players know and comply with these rules for safe operation of the system.

- Only hang from the rim briefly to regain balance and/or injuring others. Release the rim as soon as safely possible to prevent possible damage.
- Do not wear jewelry (watches, rings, necklaces etc.) Items may entangle in net or injure another player.
- Players must wear a mouthguard to prevent injury.
- During play keep players' faces away from the rim, net and backboard. Serious injury could result if face/teeth come in contact with rim, net and/or backboard, especially during dunking activities.
- When making height adjustments, keep hands and fingers clear of moving parts. Do not allow children to adjust the system height.
- Do not climb and/or hang on system components. The product is not designed to be used in this manner and property/personal injury could result.
- Routinely check the system for loose hardware and chipped paint. Remove surface rust and touchup as needed with an exterior enamel paint.
- Keep water and organic material (mulch, grass, dirt etc.) away from the base of the pole.

Most injuries are caused by misuse and/or not complying with rules and instructions.

Use caution when using this system

INSTALLATION TIMELINE

DAY 1: Install anchor system as per the instructions below.

Day 2-4: Allow the concrete to cure. *Cooler temperatures may require additional cure time.

Day 5: Complete assembly and installation of the system as per the instructions below.

Anchor System Installation Instructions (Day 1)

Items required for anchor installation - not included

- 11+/- 80 lb. bags of concrete
- 1 - Post hole digger or gas powered auger
- 1 - Shovel
- 1 - Mixing hoe
- 2 - 1 1/8" Open end wrenches or adjustable wrenches
- 1 - Wheel barrow
- 1 - Garden hose
- 1 - Level
- 1 - Tape measure
- 1 - Concrete form (see note below)
- 3 - 36" long pieces of #40 reinforcement bar

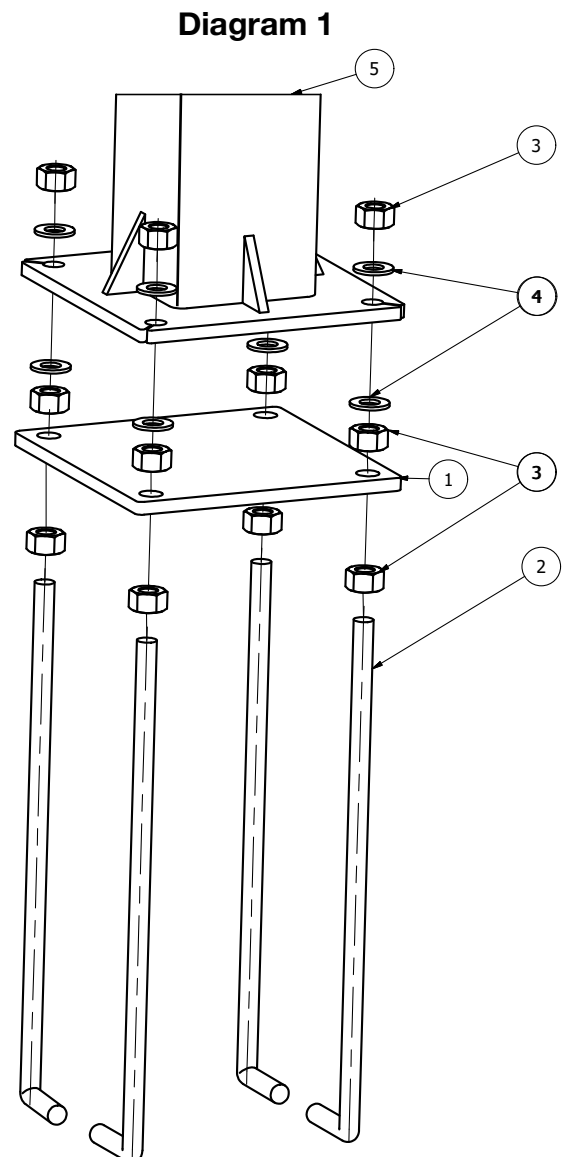
Step 1 - Assemble Anchor

Locate and assemble the (#1) 7" x 7" bolt pattern anchor kit as shown in the diagram using the supplied hardware located within the anchor box.

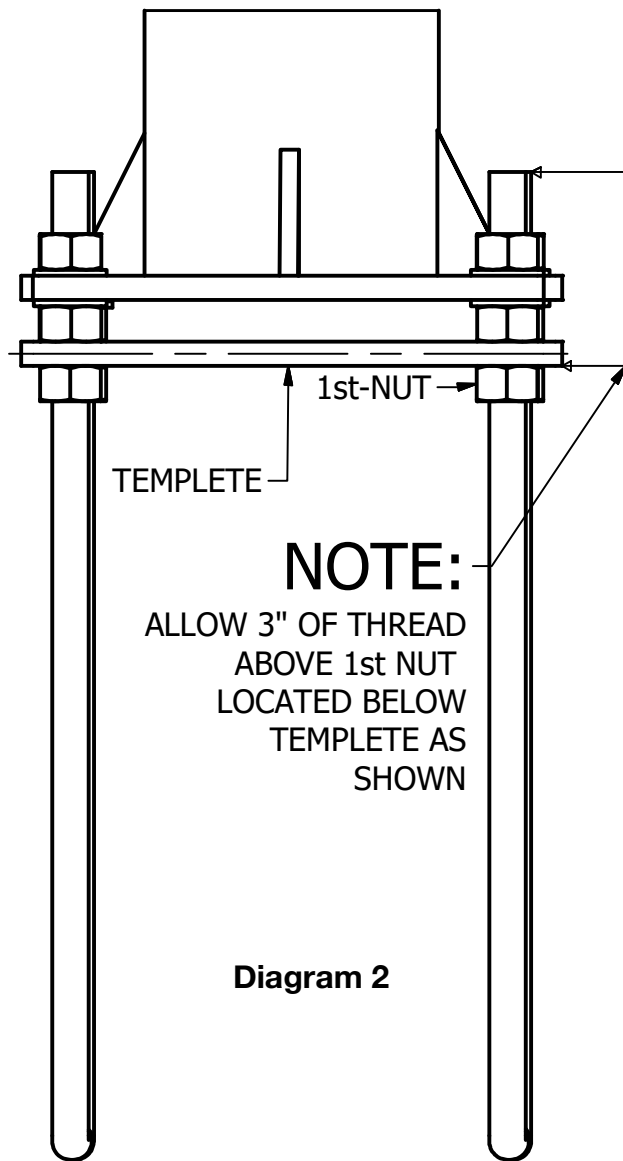
<u>Item</u>	<u>Description</u>
1	Patriot Series 7" x 7" bolt pattern template
2	L-Bolt - (4) required
3	3/4" Nut - (12) required
4	3/4" Flat Washer - (8) required
5	*Baseplate portion of the pole.

*The (#5) baseplate portion of the pole is shown to illustrate the final assembly of the pole and anchor.

The pole is not required to set the anchor.



Step 1 - Continued



The upper set of (#3) nuts and (#4) washers can be hand threaded onto the (#2) L-Bolts to prevent them from being lost.

- Thread the 1st (#3) nut onto each of the four (#2) L-Bolts leaving 3" of the thread exposed above the (#3) nut as illustrated in **Diagram 2**.
- Insert each (#2) L-Bolt into the (#1) template and secure with (#3) nut as shown in **Diagram 1** on the previous page. Tighten the top (#3) nut.
- The remaining hardware is not necessary at this point and can be placed on the (#2) L-Bolts above the (#1) template to prevent them from being lost.

Step 2 - Dig the Hole

- Before you dig confirm that all underground utilities have been marked and that you understand the markings.
- Irrigation lines, invisible fence wires etc. are not considered an underground utility and will not be marked by the (811) technician.
- Determine your hole location keeping in mind the overhang of the backboard in relationship to the face of the pole and the overall playing area of your driveway or slab.
- Dig a square hole that measures at least 48" deep with a diameter of at least 16 inches and is square with the driveway/slab and/or playing area. *Keep in mind the top of the anchor (#1) template should be set level with the playing surface to ensure the rim will reach the regulation 10' playing height.

Note: A cardboard concrete form or one constructed out of 2 x 4 lumber is recommended for the top 4" of the hole as it provides a nice finished product, aids in squaring the anchor system with the driveway/slab and/or playing area and provides a reference point for the top of the template in relationship to the playing surface.

AEB ANCHOR SYSTEM INSTALLATION

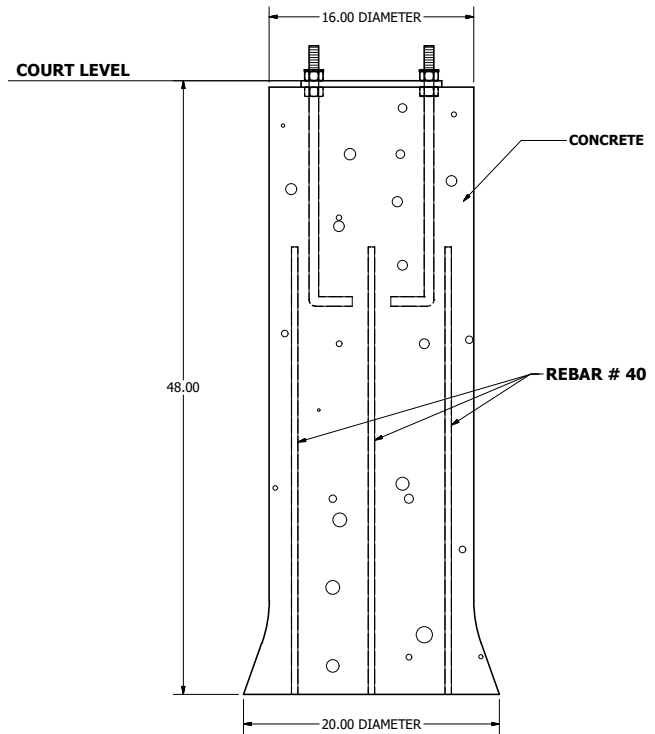


Diagram 3

Step 3 - Mix the Concrete

- Put concrete in the wheel barrow and add water per the instructions on the bag. Working quickly, thoroughly mix the concrete with the hoe. You'll want the concrete to be the consistency of thick gravy.
- Insert the #40 reinforcement bar pushing each stick to the bottom of the hole after a couple of bags of concrete have been mixed and placed in the hole.
- Working quickly, continue to mix and add concrete until the hole is filled to the top of the cardboard or wooden form. ***You must work quickly as the concrete has the potential to setup before you have an opportunity to insert the anchor into the wet concrete as detailed in Step 4.**

Note: Wet concrete has the potential to setup very quickly depending on several conditions. These conditions include but are not limited to:

- Air temperature, humidity and the exposure to direct sunlight.

Step 4 - Insert the Anchor

- Place the anchor in the center of the hole square with the driveway/slab and/or playing area and press it down into the wet concrete until the template is resting on top of the wet concrete.
Note: The four (#3) nuts located below the (#1) template will be embedded in the concrete.
 - It is important that the anchor is both level side-to-side as well as front-to-back.
 - Check often over the next 30 minutes with a level to ensure that the anchor has not moved from its intended position.
-

Allow the Concrete to Cure (Day 2 - 4)

- Allow the concrete to cure a minimum of 72 hours.
 - Cooler temperatures may require additional cure time.
-

Assembly and Installation (Day 5)

Tools required for assembly

- 1 - Level
 - 1 - 1 1/8" Open end wrench or adjustable wrench
 - 1 - Tape measure
 - 2 - 3/4" Open end wrenches or ratchet & socket
 - 1 - 9/16" Open end wrench
 - 1 - 9/16" Socket & ratchet or additional wrench
 - 1 - 8' Step ladder or Telescopic folding ladder - Preferred
 - 1 - Can of spray adhesive - Optional but highly recommended
- *Spray adhesive can be found at many hardware stores. (Loctite Brand or 3M)
- Note: Do not use an impact gun on stainless steel hardware.

Stainless steel hardware will commonly lock up or seize on itself before being fully tightened. It is important to apply a small amount of grease or an anti-seize lubricant designed for stainless steel hardware before threading on the nut.

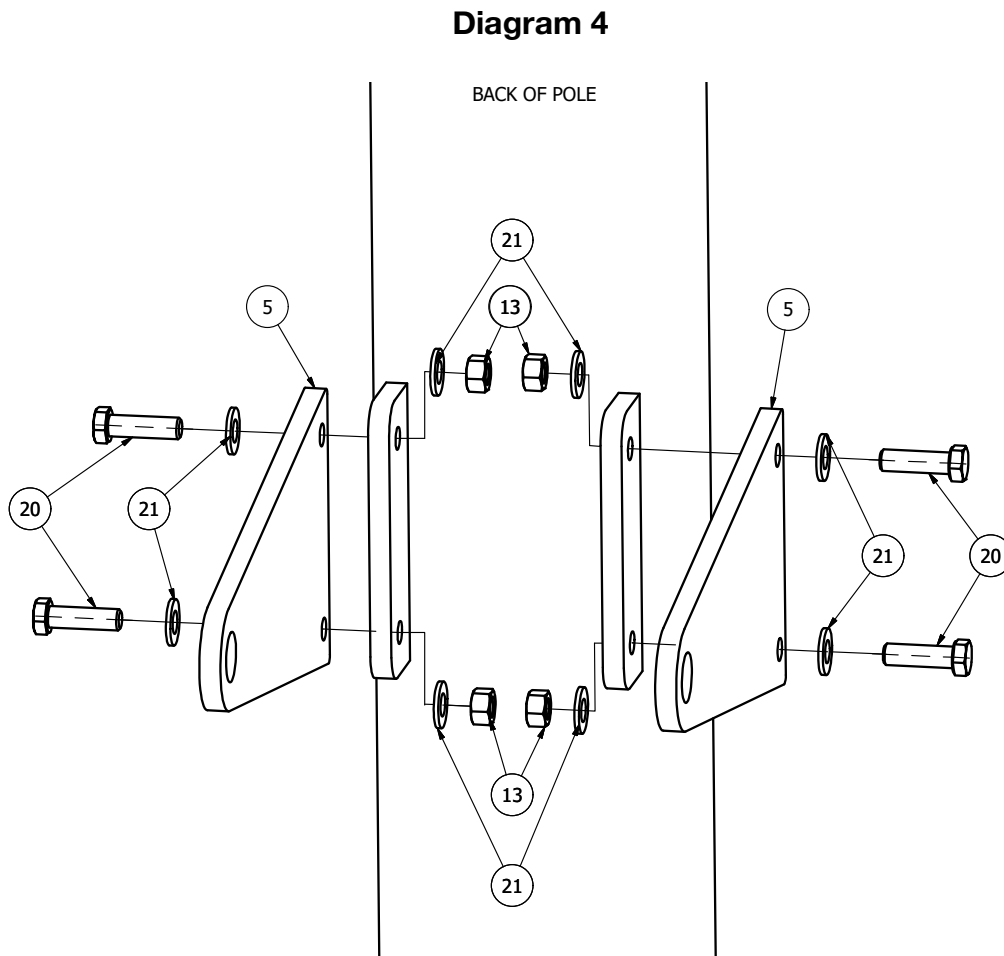
*Experienced Installer Tip: A great deal of success has been had using the spray adhesive as an anti-seize lubricant during the assembly process. Simply apply the spray adhesive to the bolt threads before threading on the nut and tighten with hand tools as you normally would.

Step 1 - Prepare the Anchor

- Remove the (#3) nuts, (#4) washers and the (#1) template from the (#2) L-Bolts leaving the four (#3) nuts that are located below the (#1) template as they will be forever embedded in concrete.
- Thread one (#3) nut all the way down on to each (#2) L-Bolt resting against the nuts embedded in the concrete.
- Lay a level across each pair of (#3) nuts leveling them from front-to-back and left-to-right.
- Place a (#4) washer on top of each (#3) nut after leveling.
- Set the remaining four (#3) nuts and (#4) washers aside.

Step 2 - Pole Assembly - Jack Plates

- Position the pole box in front of the anchor with the base plate nearest the anchor.
- Open the box and rotate the pole until the jack attachment brackets are facing up.
- Attach the jack ears to the jack brackets on the pole with two (#20) hex head bolts, four (#21) flat washers and two (#13) nuts per jack ear as shown below in **Diagram 4**.



Step 3 - Pole Assembly - Lower Arm

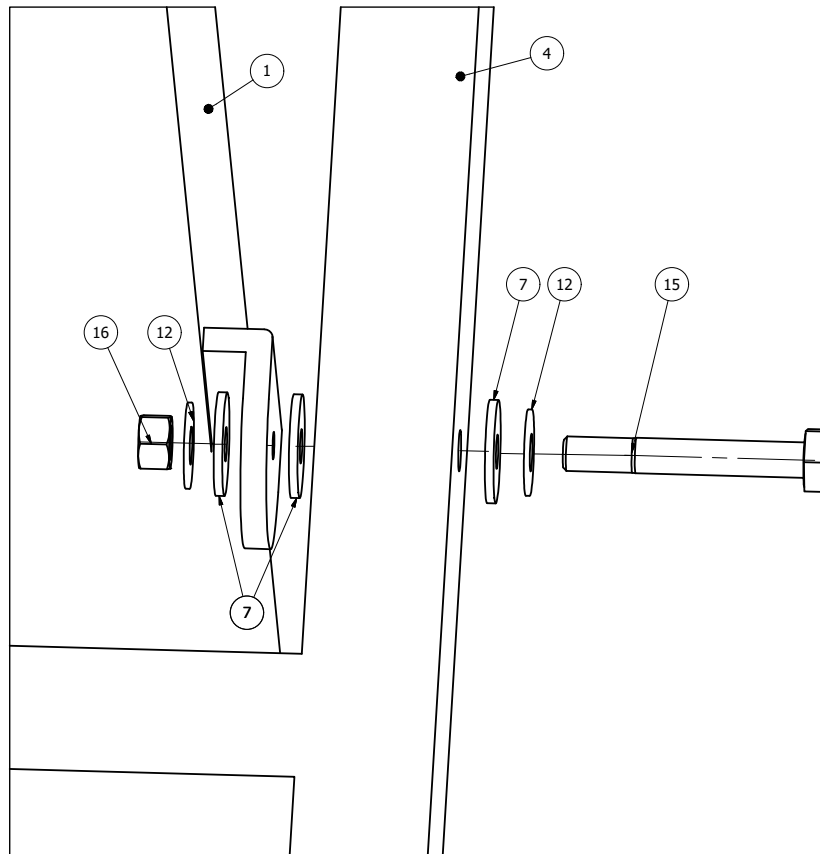
With the jack ears still facing up, position the base plate of the pole inline with the anchor and up against the front set of anchor bolts. Prop the pole up on a padded saw horse or a folding ladder as shown in **Detail 9** on page 12 to complete the following.

Note: It is very important that the installer understands the importance of the bushing assembly. A properly assembled bushing will not only protect the painted parts during adjustment, but will provide a smooth and quiet operating system.

- Attach the lower H-arm to the pole as shown in **Diagram 5** using one (#15) bolt, two (#12) stainless washers and three (#7) ABS washers per side of the lower arm.

Note: Do not fully tighten the (#15) bolts at this time. These bolts will be tightened once the jack has been attached to the rear portion of the arm in (Step 6).

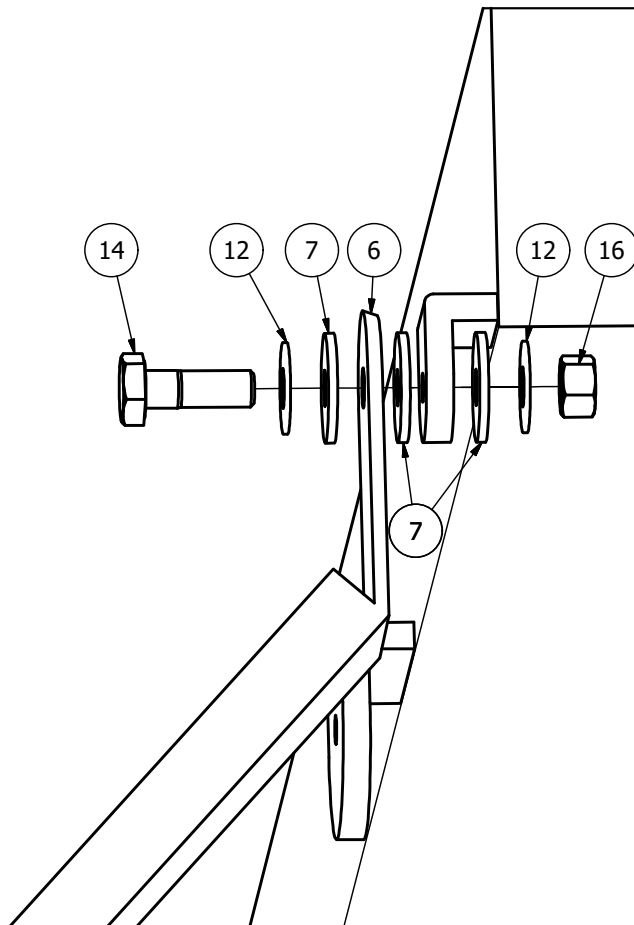
Diagram 5



Step 4 - Pole Assembly - Upper Arms

- Attach the upper arms to the pole as shown in **Diagram 6** using one (#14) bolt, two (#12) stainless steel washers, three (#7) ABS washers and one (#16) nut. Tighten bolts snug, but do not over tighten.

Diagram 6

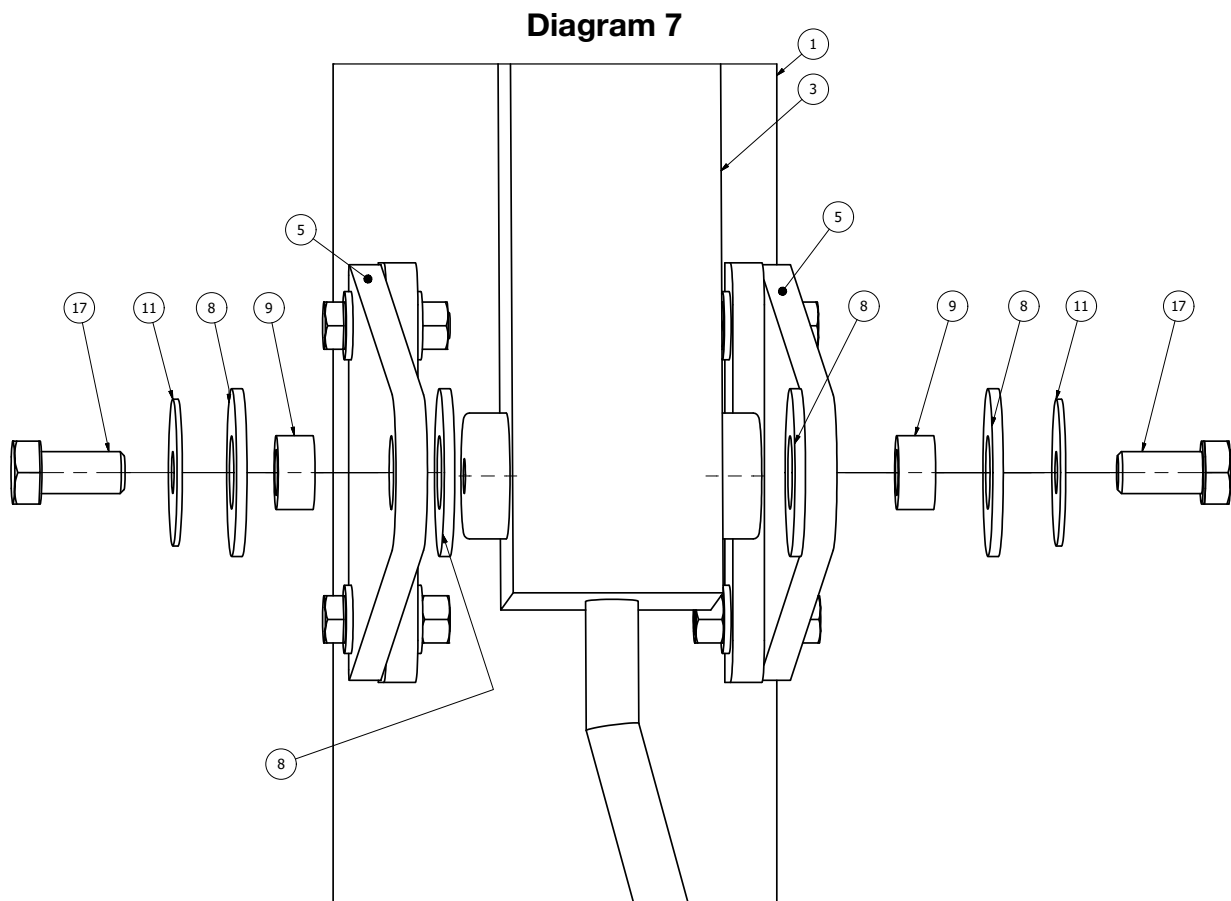


Step 5 - Pole Assembly - Lower Jack Attachment

- Locate and unwrap the jack leaving the plastic zip tie intact.
- Turn the handle 10-12 revolutions partially extending the jack.
- Attach the (#3) jack to the (#5) jack ears using one (#17) bolt, one (#11) stainless washer, one (#9) gray nylon tube, and 2 (#8) ABS washers per side of the jack as shown in **Diagram 7**.

*Experienced Installer Tip: When attaching the jack to the jack ears it helps to first insert the (#9) gray nylon tube into the (#5) jack ear centering it on the ear. Apply a small amount of spray adhesive to the smooth side of the (#8) ABS washers and slide them over the (#9) gray nylon tube adhering them to the (#5) jack ears. This will prevent the (#8) ABS washers from getting jostled off of the (#9) gray nylon tubes during assembly.

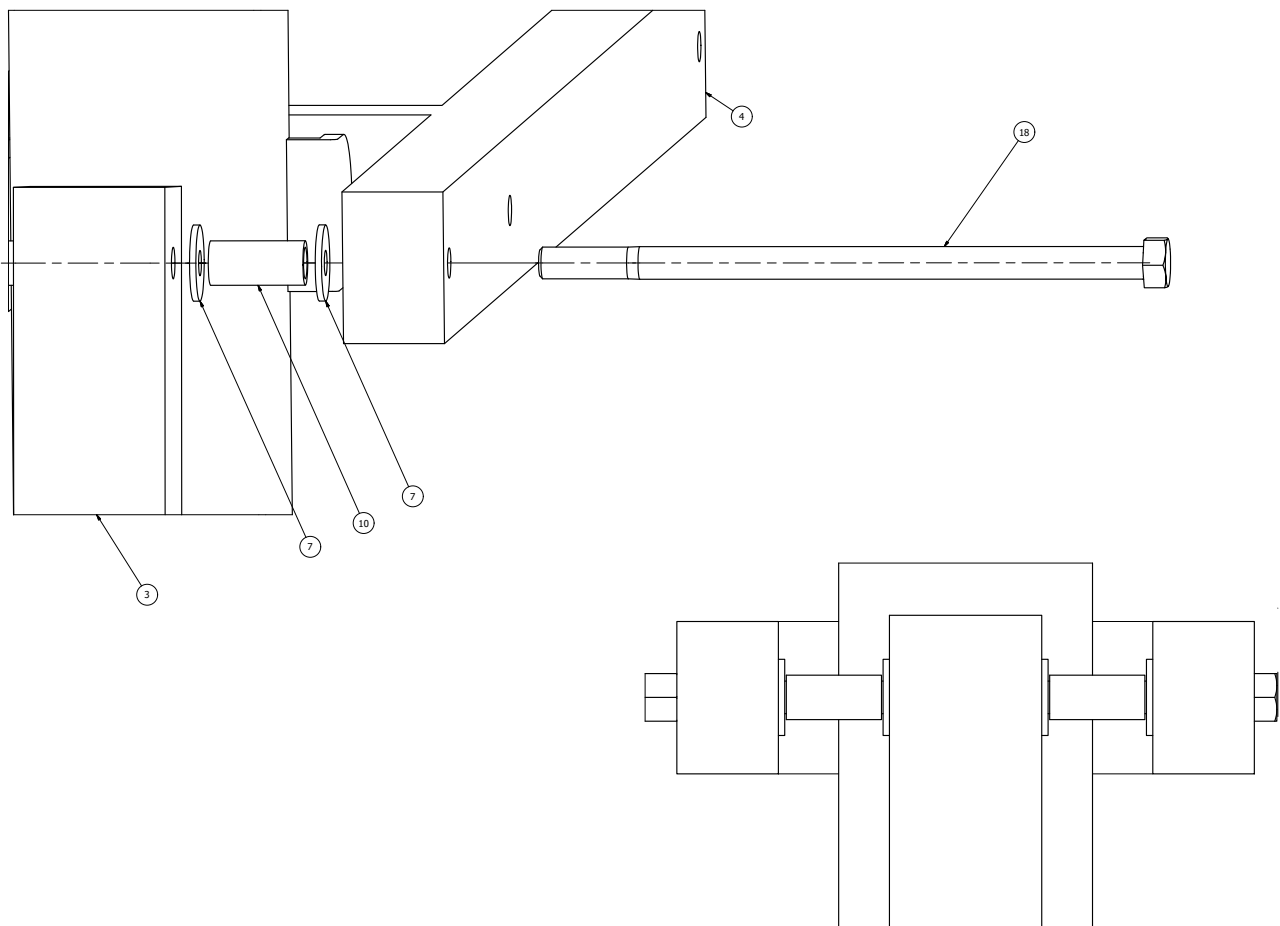
- Rest the top of the (#3) jack on the pole protecting the painted surface with a small piece of packing foam or cardboard. You may fully tighten the (#17) bolts at this time.



Step 6 - Pole Assembly - Upper Jack Attachment

- Remove the plastic zip tie from the (#3) jack.
- Attach the (#3) jack to the (#4) lower H-arm using one (#18) bolt, two (#7) ABS washers and one (#10) steel spacer tube per side as shown in **Diagram 8** below.
- Note: The (#18) bolt must also line up with and pass through the holes in the inner frame located within the jack. Line the holes in the upper portion of the jack up with the holes in the inner frame before attempting to insert the (#18) bolt. Twisting the bolt back and forth as you insert it will help it slide through if it gets in a bind.
- Fully tighten both (#15) bolts from **Step 3** as well as the (#18) bolt in the diagram below.

Diagram 8



Step 7 - Uprighting the Pole

! WARNING

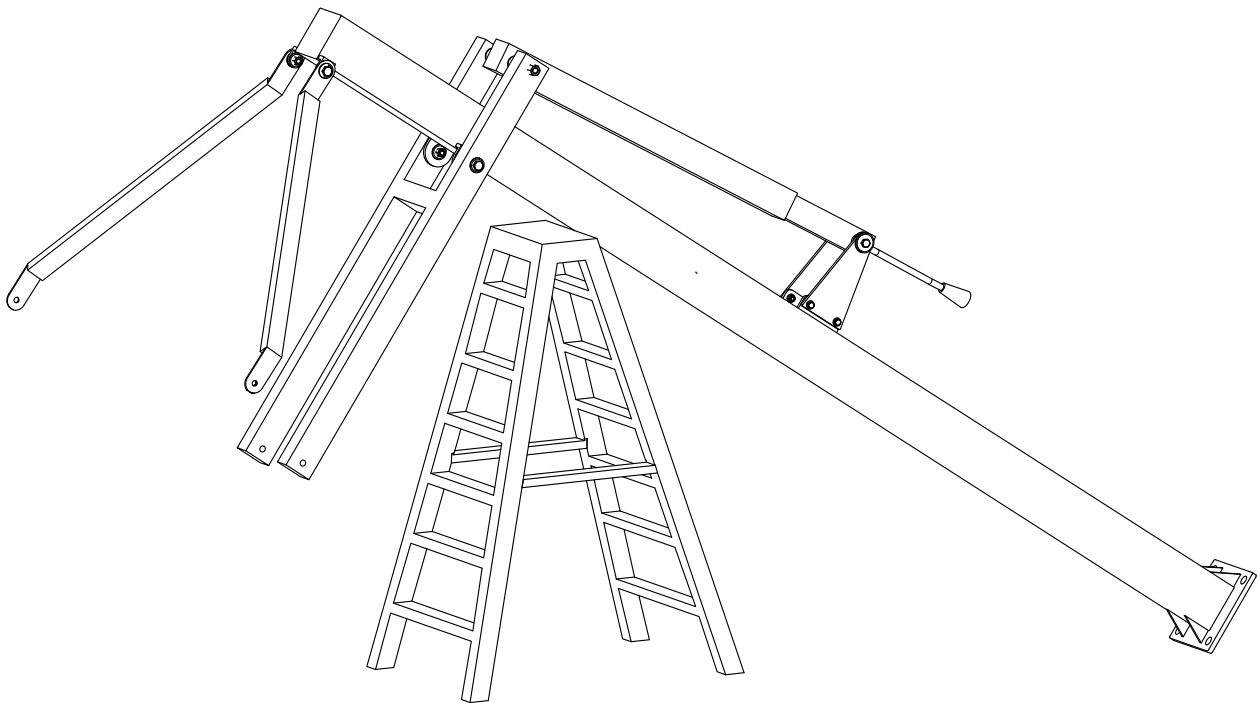
The assembled pole is extremely heavy! This step will require two or more people in good physical condition and more than capable of lifting no less than 100 pounds each are recommended for the safe execution on this step.

! CAUTION

Placing the pole on the anchor system requires no less than two capable adults. The pole will have a tendency to lean while attempting to stand it up on the anchor bolts.

- Locate the anchor bolt hardware that was set aside in **Step 1** and place it beside the anchor.
- Lift the assembled pole onto the anchor bolts maintaining full contact with the pole at all time.
- Secure the base of the pole to the anchor bolts using the four (#4) washers and four (#3) nuts.
- Tighten the four (#3) nuts snug, but do not fully tighten them at this time.

Diagram 9



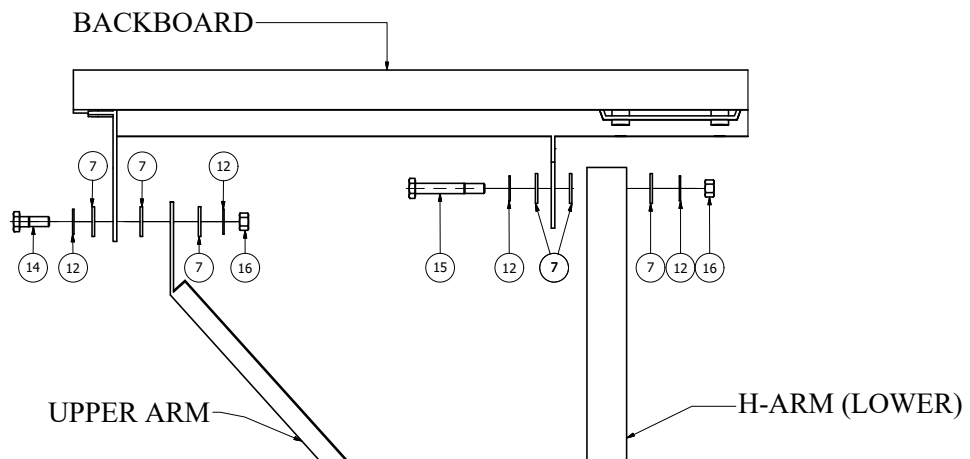
Step 8 - Backboard Attachment



- Adjust the height of the (#3) lower arm to its lowest point.
- With at least four capable adults, raise the (#2) backboard into position while the fifth person attaches the (#2) backboard to the (#3) lower arm using the hardware shown in **Diagram 10**. This is a pivot point. Do not over tighten these bolts.
- Raise the top of the (#2) backboard up and into position and attach the (#4) upper arms using the hardware shown in **Diagram 10**. This is a pivot point. Do not over tighten these bolts.

Diagram 10

Note: View of backboard upper & lower arms from above. Upper and lower arms attach to the inside of the backboard mounting tabs.



Step 9 - Square the Backboard

- Now that the backboard is attached, take a moment to check to see if the backboard is square to the playing area.
- If any adjustment needs to be made, simply loosen the four (#3) nuts from **Step 7** ever so slightly and rotate the pole on the anchor. DO NOT completely remove any of the (#3) nuts.
- Once the backboard is square with the playing area tighten the four (#3) nuts completely.

*Experienced Installer Tip: As you tighten the four (#3) nuts completely, check the backboard to see if it is plumb. Place a level on the face of the glass running from top to bottom and on the side of the backboard on the outside of the aluminum trim. The four (#3) nuts located below the baseplate of the pole can be adjusted to fine tune the backboard. Once you are satisfied, double check to make sure the four (#3) nuts are tight.

This area intentionally left blank.

Step 10 - Rim Attachment

***Experienced Installer Tip:** Apply a small amount of spray adhesive to the backside of the (#12) rubber octagon and adhere it to the backboard centered between the rim standoff tubes.

- Using the hardware attached to the rim cover plate, attach the rim to the backboard as shown in **Diagram 11**. Snug hardware, do not fully tighten at this time.
- Place a level across the rim side-to-side and adjust the rim until it is level.
- Finish tightening the four (#21) nuts.

NOTE: RIM IS NOT SHOWN FOR CLARITY

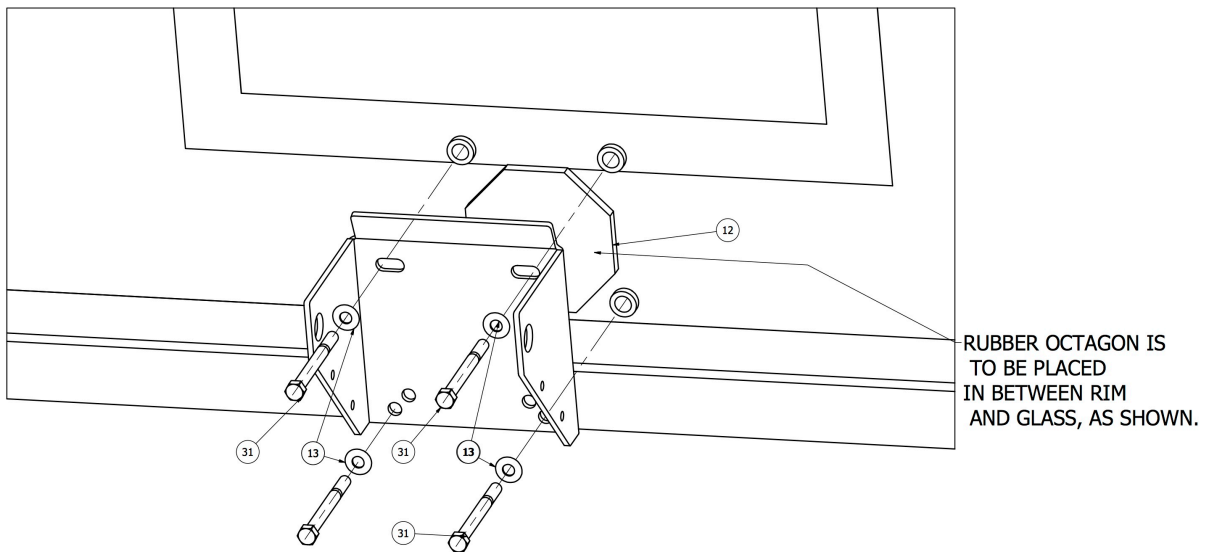
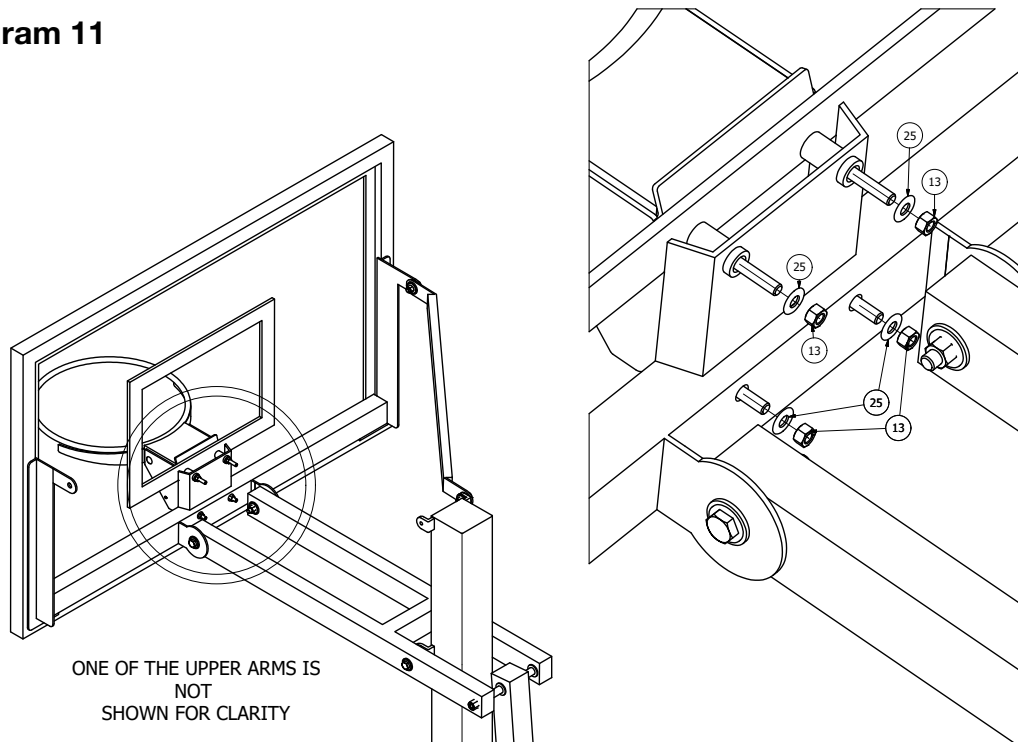


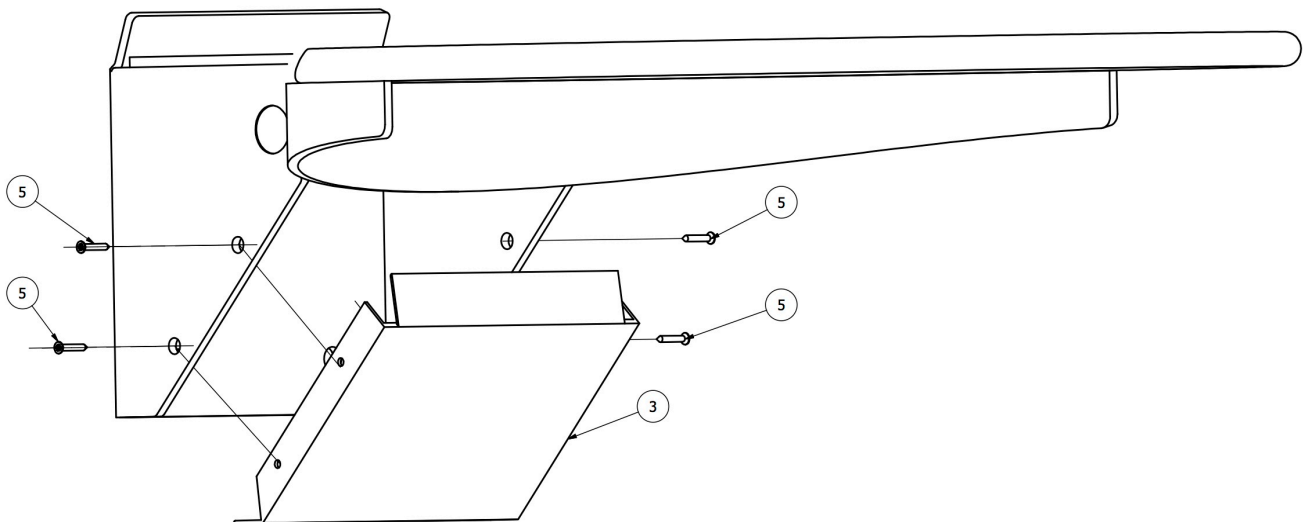
Diagram 11



Step 11 - Rim Cover Plate Attachment

- Attach the rim cover plate as shown in **Diagram 12**.
- A cordless drill is recommended for installing the four (#5) rim screws.
- Do not over tighten the (#5) screws as they could strip.
- Attach the net to the rim.

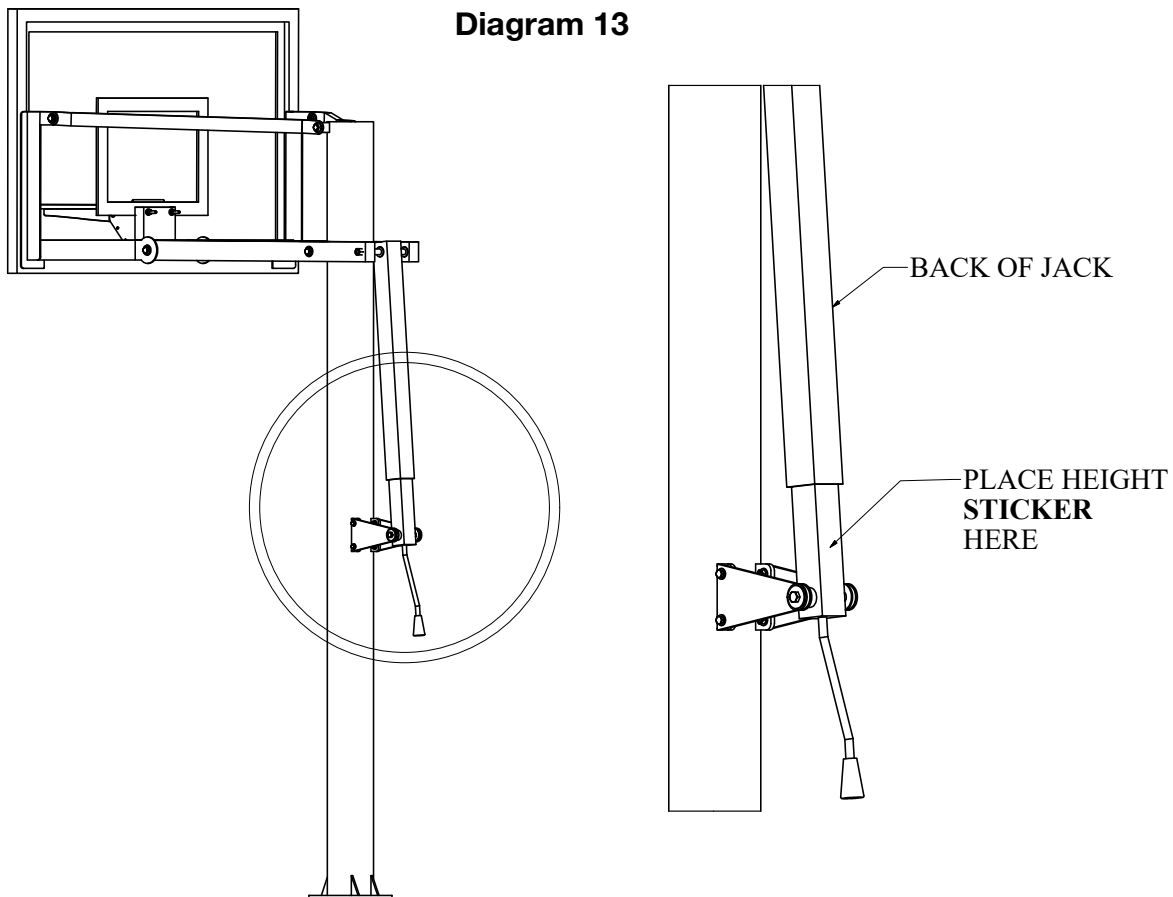
Diagram 12



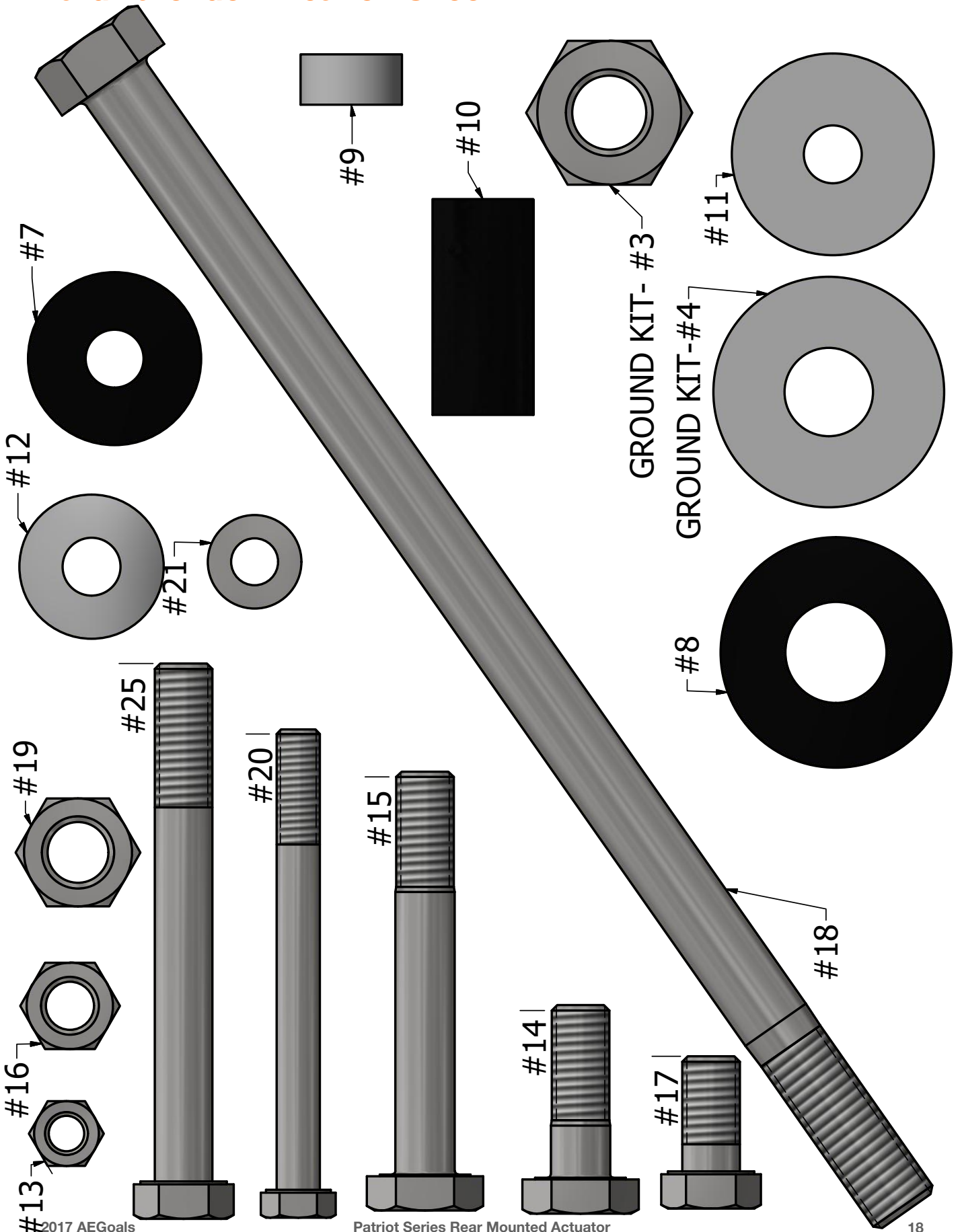
Step 12 - Height Indicator Attachment

- Measuring from the top of the rim to the top of the playing surface, adjust the height of the rim to lowest corresponding height listed on the height sticker.
- Make a reference mark on the inner portion of the jack at the bottom of the outer sleeve.
- Adjust the backboard to its lowest point and apply the height decal to the inner portion of the jack lining the reference mark up with the corresponding height on the decal as shown in **Diagram 13**.

Note: You may apply the height decal to the side or the rear of the jack. When applying to the rear of the jack, a portion of the height decal may need to be trimmed off. While this is a rare occurrence, it is possible depending on the height of your anchor system in relationship to the slope of the driveway where the rim height measurement was taken.



Hardware Identification Sheet



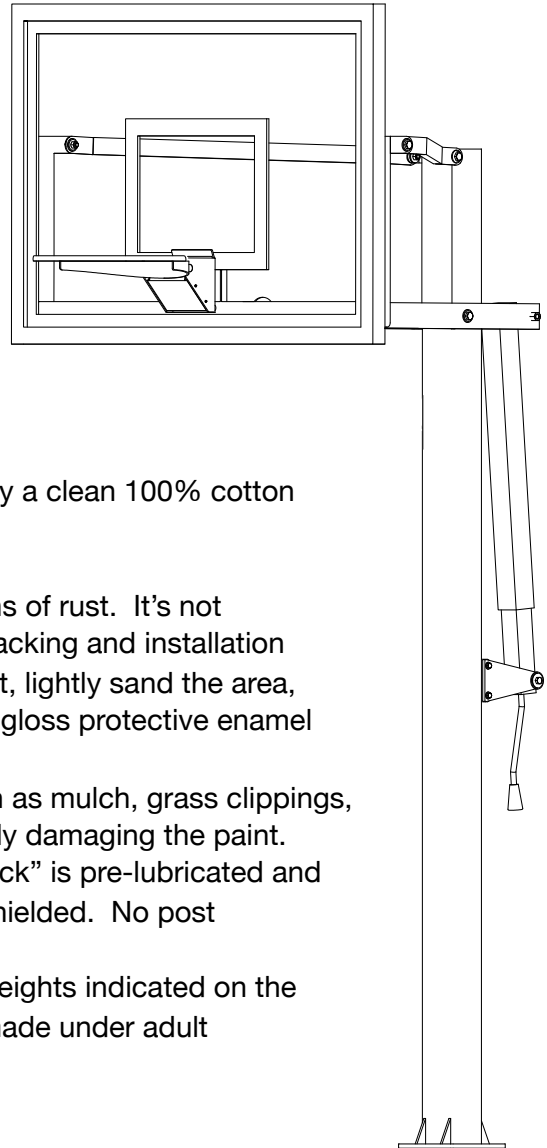
Care and Maintenance

Maintenance

The longevity of your American Eagle basketball system depends on several variables. The climate in which it is installed, exposure to corrosives such as salt, chemicals including but not limited to herbicides and pesticides as well as organic materials can all contribute to deterioration.

For safety reasons the following should be checked on a regular basis.

- Clean both sides of the backboard as needed with only a clean 100% cotton cloth and regular household glass cleaner.
- Inspect all nuts and bolts and tighten as necessary.
- Inspect the entire assembly for chipped paint and signs of rust. It's not uncommon for parts to be mishandled during the unpacking and installation process. If rust should appear, remove any loose paint, lightly sand the area, apply a quality primer and paint with a quality exterior gloss protective enamel such as Rust-Oleum.
- Inspect the base of the pole for organic materials such as mulch, grass clippings, top soil etc. as these items will trap moisture potentially damaging the paint.
- The American Eagle height adjustment mechanism "jack" is pre-lubricated and built in such a way that the internal components are shielded. No post installation lubrication is necessary.
- The goal should not be adjusted above or below the heights indicated on the height adjustment decal. All adjustments should be made under adult supervision.



Questions?
 Phone: 1-844-422-4625
 Email: sales@aegoals.com
www.aegoals.com

Warranty

Limited Lifetime Warranty

Warranty Coverage: American Eagle Basketball Systems warrants to the original retail purchaser that any product of its manufacture is free from defects in material and workmanship. This warranty is void if the product has been damaged by accident, negligence, use for purposes for which it is not intended, improper service, failure to follow the instructions provided with the product or other causes not arising out of defects in material or workmanship. A limited lifetime warranty is effective for the duration of ownership by the original retail purchaser or five years after product discontinuation by American Eagle Basketball Systems.

Subject to proper installation and normal residential use, American Eagle Basketball Systems warrants, subject to the limitations below, to the original retail purchaser all structural components of the American Eagle Basketball System to be free of defects in material and workmanship for the duration of ownership by the original purchaser or five years after product discontinuation by American Eagle Basketball Systems.

Not Covered By This Warranty: Use of product in non-residential applications including, but not limited to, schools, parks, public or private recreational facilities. Product subjected to abuse, negligence, improper installation, vandalism, acts of God, alteration of product and any other events beyond the control of American Eagle Basketball Systems. Paint or rusted parts. If rust should appear, remove loose paint, lightly sand affected area, primer and paint with an exterior enamel paint. Rims are not warranted for any defects other than workmanship. Bent rings, torn back plates, damaged springs and damaged eyebolts are a result of hanging on the rim and are not warranted. Shipping charges both ways. Product shipped collect will be refused. Protective padding is not warranted for any defects other than workmanship for a period of one year. Service charges, labor charges, equipment rental and travel expenses associated with the replacement of repair or warranty item.

American Eagle Basketball Systems reserves the right to examine photographs or physical evidence of product claimed to be defective, and to recover said product, prior to authorization of warranty claims. All warranty claims must be arranged through American Eagle Basketball Systems prior to any product returns.

The sole obligation of American Eagle Basketball Systems and the exclusive remedy under the applicable warranty, is repair or replacement of any component part determined by American Eagle Basketball Systems to be defective and covered by the warranty. American Eagle Basketball Systems will not be liable for any other damages or expenses.

Warranty Disclaimers: The applicable warranty is expressly in lieu of all other warranties, expressed or implied. American Eagle Basketball Systems does not assume, and no other person or representative is authorized to assume for American Eagle Basketball Systems any other liability in connection with the sale of American Eagle Basketball Systems products. Under no circumstances shall American Eagle Basketball Systems be liable for any indirect, consequential, special, incidental, punitive or exemplary damages of any kind. The American Eagle Basketball Systems product is intended to be used to play the sport of basketball. All sports involve risk of injury. The user assumes all risk of injury resulting from the use of this product. All products are sold on this condition and no representative of American Eagle Basketball Systems may waive or change this policy.

Some states do not allow the exclusion or limitation of implied warranties or consequential or incidental damages, so the above limitations or exclusions may not apply to you.

Legal Remedies: This warranty gives you specific legal rights and you may also have other rights which may vary from state to state.

Warranty Guidelines Required For All Warranty Claims

1. Proof of purchase (original retail purchaser) is required for all warranty claims.
2. Call or write American Eagle Basketball Systems to receive a Return Authorization Number and any instructions for the return.

Questions or Comments

Phone: 1-844-422-4625

Email: sales@aegoals.com

www.aegoals.com

American Eagle Basketball Systems

735 Bacon Street

Indianapolis, IN 46227

Attn: Warranty Department

No part of this manual may be reproduced in any form or by any means electronic or mechanical, including photocopying, recording or by any information storage and retrieval systems without the express written consent of American Eagle Basketball Systems.